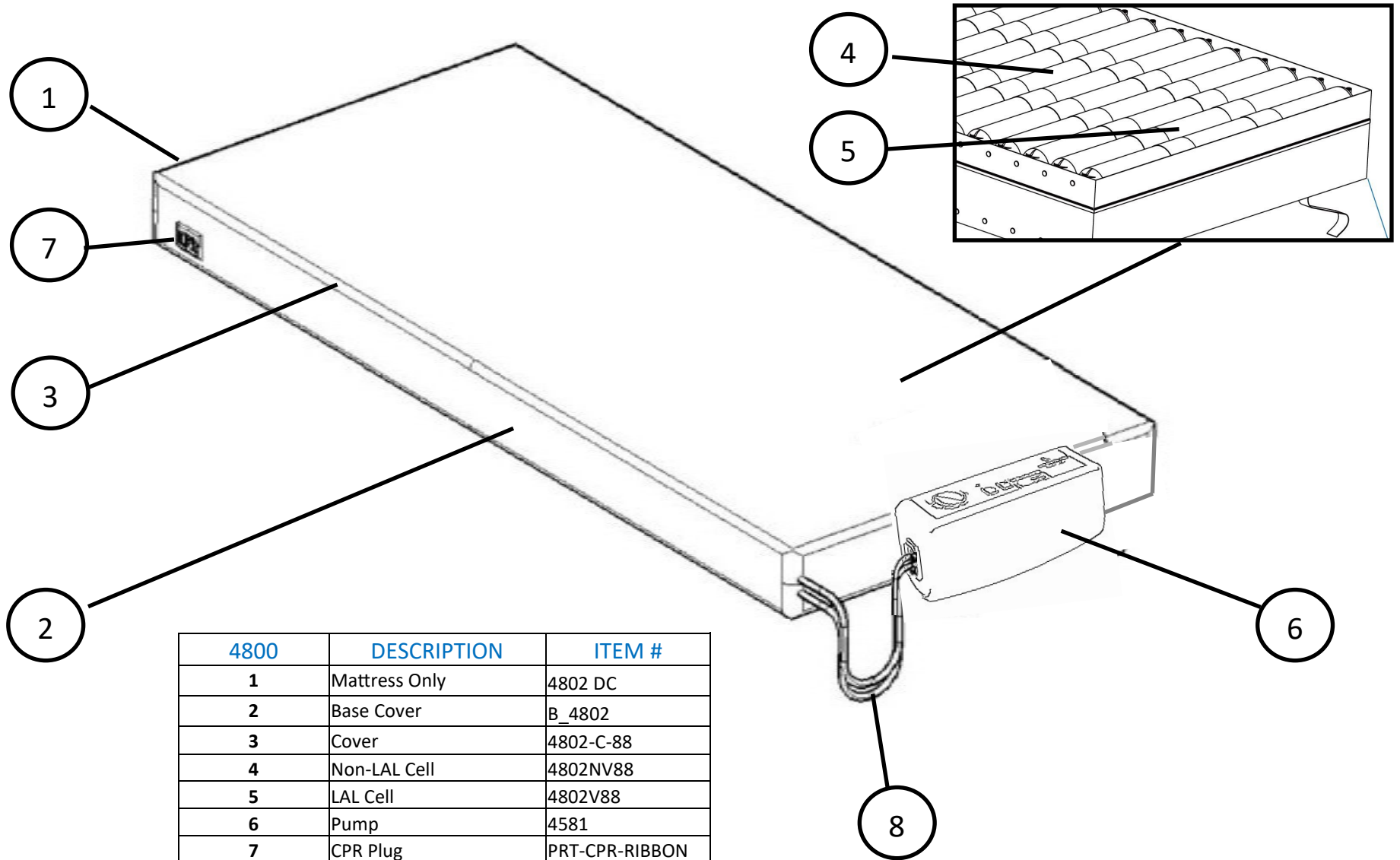


4800



4800	DESCRIPTION	ITEM #
1	Mattress Only	4802 DC
2	Base Cover	B_4802
3	Cover	4802-C-88
4	Non-LAL Cell	4802NV88
5	LAL Cell	4802V88
6	Pump	4581
7	CPR Plug	PRT-CPR-RIBBON
8	Mattress Hose	90165
9	Check valve (not shown)	PRT-CHK-VALVE

Images are for reference purposes only and may not resemble the specific APM model.